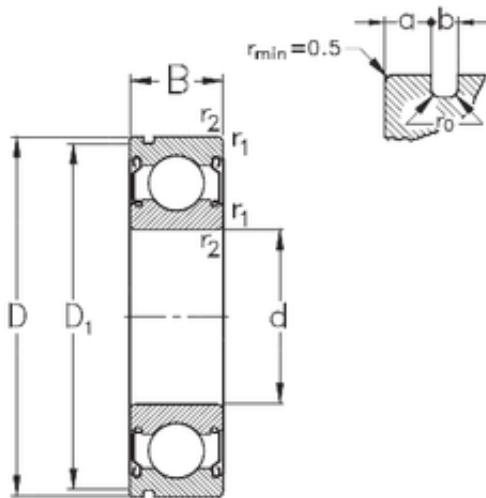




AST BEARING OF AMERICA CORP.



90 mm x 140 mm x 24 mm NKE 6018-2Z-N
deep groove ball bearings

Bearing No. 6018-2Z-N

Size	90x140x24 mm
Bore Diameter	90 mm
Outer Diameter	140 mm
Width	24 mm
d	90 mm
D	140 mm
B	24 mm
C	24 mm
a	4,9 mm
b	3,1 mm
f	2,82 mm
r1 min.	1,5 mm
r2 min.	1,5 mm
D1	135,23 mm
D2	149,7 mm
Weight	1,18 Kg
Basic dynamic load rating (C)	58 kN
Basic static load rating (C0)	50 kN

6018-2Z-N Bearing 2D drawings and 3D CAD models