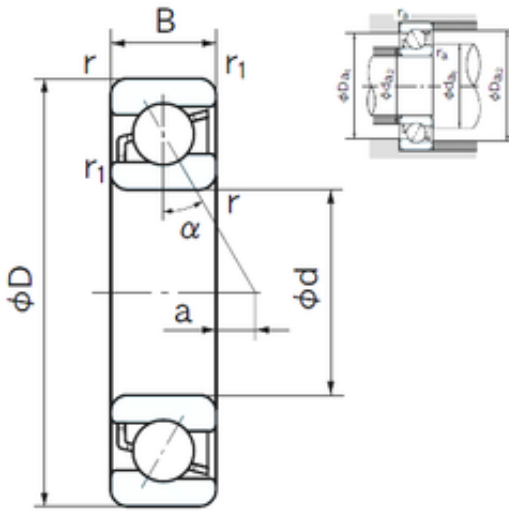




AST BEARING OF AMERICA CORP.



7040 Bearing 2D drawings and 3D CAD models

200 mm x 310 mm x 51 mm NACHI 7040
angular contact ball bearings

Bearing No. 7040

Size	200x310x51 mm
Bore Diameter	200 mm
Outer Diameter	310 mm
Width	51 mm
d	200 mm
D	310 mm
B	51 mm
C	51 mm
Angle (°)	30 °
a	48.1 mm
r min.	2.1 mm
r1 min.	1.1 mm
da min.	209 mm
Da max.	301 mm
ra max.	2 mm
Weight	13.8 Kg
Basic dynamic load rating (C)	226 kN
Basic static load rating (C0)	277 kN
(Grease) Lubrication Speed	1700 r/min
Configuration	Single Row
Enclosure	Open
Bore Type	Cylindrical Bore
Bore Size	200 mm
Outside Diameter	310 mm
Width	51 mm



AST BEARING OF AMERICA CORP.

Fillet Radius/Chamfer	2.1 mm
r1	1.1 mm
Dynamic Load Rating	226,000 N
Static Load Rating	277,000 N
Limiting Speed - Grease	1,700 rpm
Limiting Speed - Oil	2,200 rpm
da1 (min)	209 mm
da2 (min)	209 mm
Da1 (max)	301 mm
Da2 (max)	304 mm
ra (max)	2 mm
ra1 (max)	1 mm